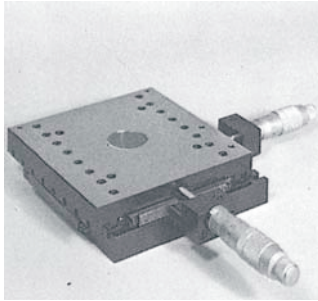
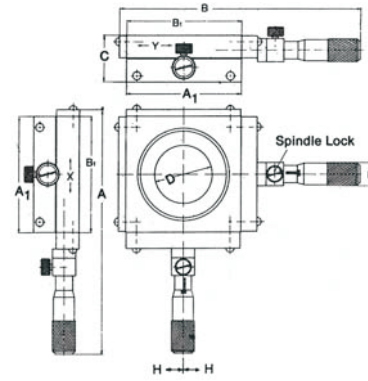


COORDINATE FRICTIONLESS TABLES TYPE RQ



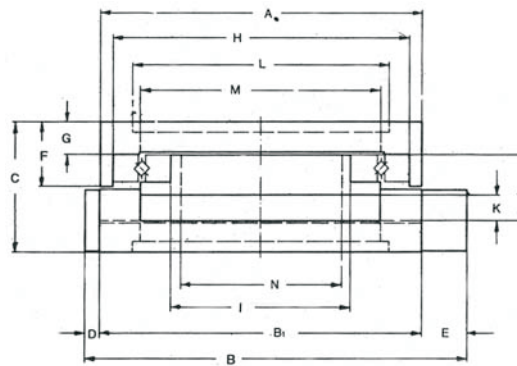
EDP Numbers, Sizes and Dimensions for Type RQ Slides



EDP No.	Size No.		Width		Length		Height		Movement Centre Centerline H	Maximum Load	
			A	A ₁	B	B ₁	C	D		Lbs.	Kg.
80107	75	In.	7.310	2.953	7.310	2.953	1.575	.787	.394	Lbs.	81
		mm	186	75	186	75	40	20	10	Kg.	37
80108	100	In.	8.292	3.937	8.292	3.937	1.575	1.969	.394	Lbs.	165
		mm	211	100	211	100	40	50	10	Kg.	75
80109	150	In.	11.908	5.906	11.908	5.906	1.969	1.969	.886	Lbs.	165
		mm	303	150	303	150	50	50	22.5	Kg.	75
80110	200	In.	13.952	7.874	13.952	7.874	1.969	2.953	.886	Lbs.	341
		mm	355	200	355	200	50	75	22.5	Kg.	155
80111	300	In.	21.340	11.811	21.340	11.811	2.756	3.937	1.870	Lbs.	528
		mm	543	300	543	300	70	100	47.5	Kg.	240

Light penetration hole D is unobstructed within Limitation of distance H in the X and Y directions.
Micrometer spindle is provided with .01 mm divisions.

This unit, but without the centre opening, is available on special order basis.



Dimension Table for Modification

Size No.		A	B	B ₁	C	D	E	F	G	H	I	J	K	L	M	N
75	In.	2.953	3.740	2.953	1.575	0.236	.551	.768	.394	2.677	1.260	.787	.315	2.165	1.969	.787
	mm	75	95	75	40	6	14	19.5	10	68	32	20	8	55	50	20
100	In.	3.937	4.724	3.937	1.575	0.236	.551	.768	.394	3.622	2.205	.787	.315	3.150	2.953	1.969
	mm	100	120	100	40	6	14	19.5	10	92	56	20	8	80	75	50
150	In.	5.906	6.805	5.906	1.969	0.315	.630	.965	.472	4.724	3.307	1.024	.315	4.134	3.937	1.969
	mm	150	174	150	50	8	16	24.5	12	120	84	26	8	105	100	50
200	In.	7.874	8.819	7.874	1.969	0.315	.630	.965	.472	6.693	5.276	1.024	.315	5.118	4.921	2.953
	mm	200	224	200	50	8	16	25.5	12	170	134	26	8	130	125	75
300	In.	11.811	12.992	11.811	2.756	.394	.787	1.358	.591	9.134	6.693	1.575	.591	8.071	7.874	3.937
	mm	300	330	300	70	10	20	34.5	15	232	170	40	15	205	200	100